

Product Description

Product model: ZT-MS-U021

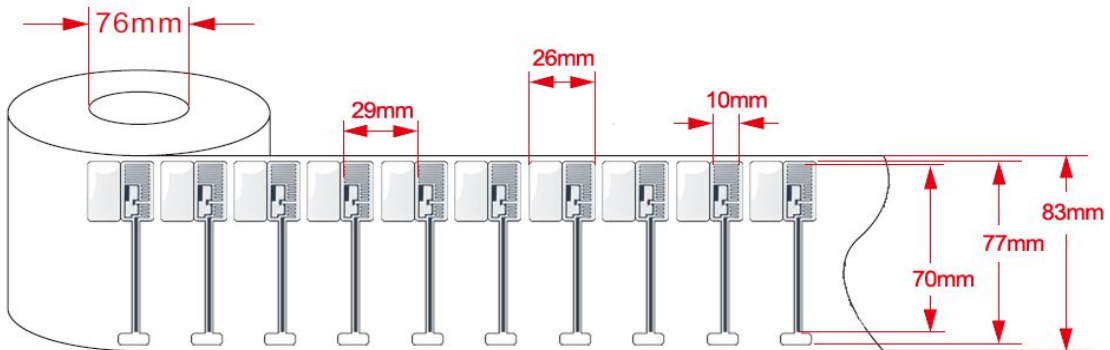
1. Product brief

Product name	jewelry RFID label
Product model	ZT-MS-U021
Product usage	Mainly used in jewelry tracking, can also be used for other items tracking management.

2. Antenna



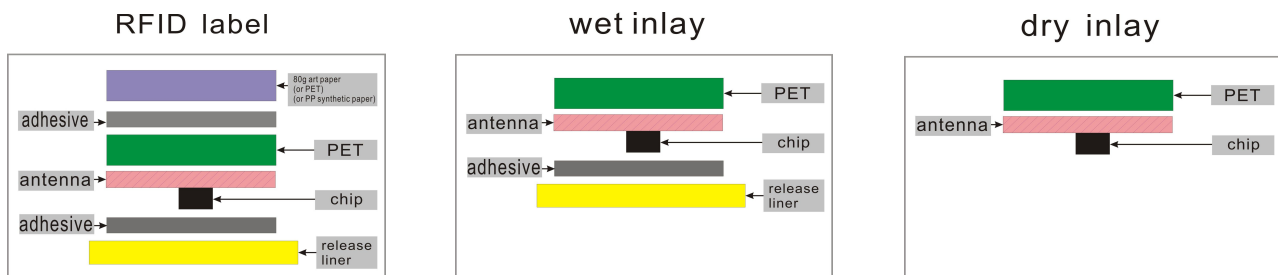
3. Product size (label size: 77*26mm; antenna size: 70*10mm)



4. Electronic properties

Chip	NXP U7 / NXP U8
Frequency	860-960 MHz
RF standard	ISO18000-6C

5. Product composition



6. Use warning

6.1

Do not use if the black dot is marked as defective.
The location of the defective product is shown on the right.

Marking of defective products: black ink dots, diameter: 3mm



6.2

Pay attention to waterproof when handling and using.
Do not violently impact, squeeze or bend.

6.3

Operating temperature / humidity: -40~70°C / 20% ~ 90% RH.

Storage temperature / humidity: -20~50°C / 20% ~ 90% RH (no condensation).

Recommended storage temperature / humidity: 20~30°C / 50%.

7. packaging

Quantity per roll: Customizable

Packaging method:

- 1) Use a stabilizer to protect the IC and the antenna.
- 2) Packed in pearl cotton and anti-static plastic bags, waterproof, anti-collision, anti-static.
- 3) Use standard carton packaging.

