

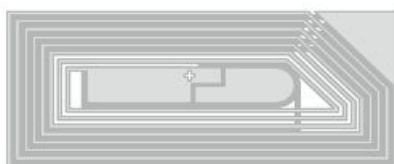
# Product Description

Product model: ZT-MS-H016

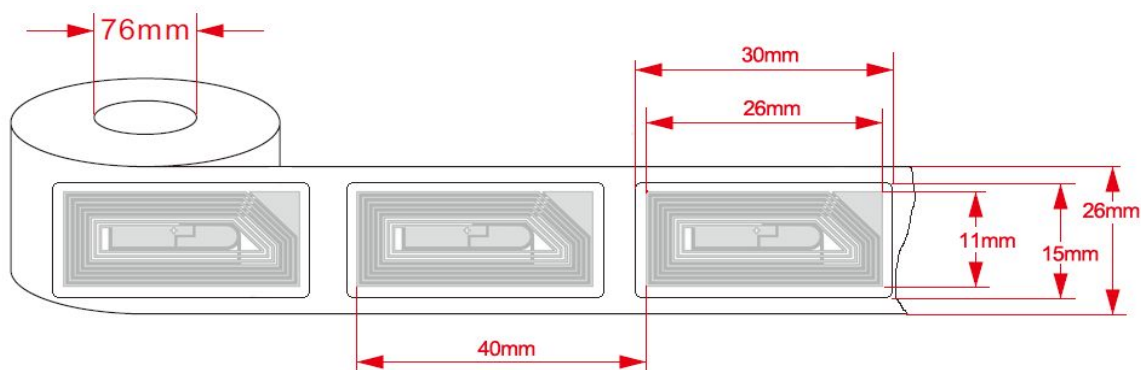
## 1. Product brief

Product name	RFID label / wet inlay / dry inlay
Product model	ZT-MS-H016
Product usage	Item identification and tracing, warehousing management, logistics management, production line management, etc.

## 2. Antenna



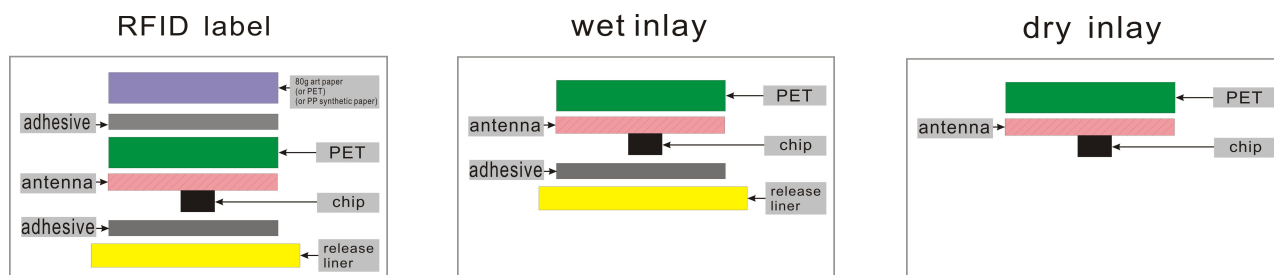
## 3. Product size (label size: 30\*15mm; antenna size: 26\*11mm)



## 4. Electronic properties

Chip	FM11RF08 / Ultralight EV1 / ISSI4439 / Mifare S50 / NTAG213 / FM11NT021
Frequency	13.56MHz
RF standard	ISO14443A

## 5. Product composition



## 6. Use warning

6.1

Do not use if the black dot is marked as defective.  
The location of the defective product is shown on the right.

Marking of defective products: black ink dots, diameter: 3mm



6.2

Pay attention to waterproof when handling and using.  
Do not violently impact, squeeze or bend.

6.3

Operating temperature / humidity: -40~70°C / 20% ~ 90% RH.  
Storage temperature / humidity: -20~50°C / 20% ~ 90% RH (no condensation).  
Recommended storage temperature / humidity: 20~30°C / 50%.

## 7. packaging

Quantity per roll: Customizable

Packaging method:

- 1) Use a stabilizer to protect the IC and the antenna.
- 2) Packed in pearl cotton and anti-static plastic bags, waterproof, anti-collision, anti-static.
- 3) Use standard carton packaging.

